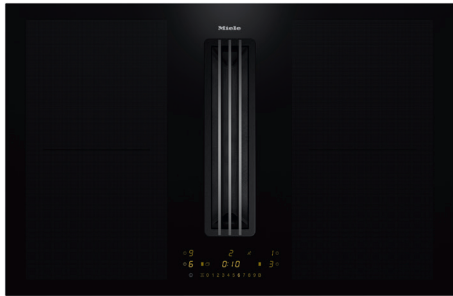


KMDA 7476 FL

Induction hob with integrated vapour extraction

with two extra large PowerFlex XL cooking areas and flush-fit vapour extraction



- Ample space – 4 large cooking zones incl. 2 PowerFlex XL areas for larger pots and pans
- Elegant design – flush fit downdraft extractor
- Automatic fan power regulation – Con@ctivity
- Compact control using the numerical display – ComfortSelect Plus
- Energy-efficient and quiet – powerful ECO motor

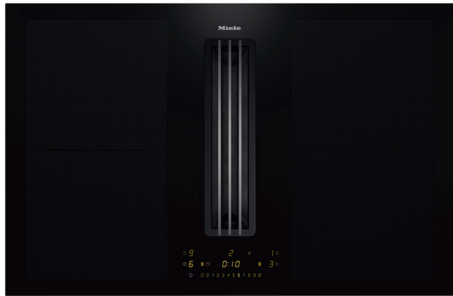
EAN: 4002516599166 / Material number: 12106290

Heating type	
Heating type on the left	Electric with induction
Operating modes	
Design	
Elegant glass ceramic surface	•
Flush	•
Ceramic surface colour	Black
Frameless – surface-mounted	•
Flush fit extractor	•
Cooking zone details	
Number of cooking zones	4
Number of cooking areas	2
Maximum number of pans	4
PowerFlex cooking zones	
No.	2
Type	PowerFlex XL cooking area
Size in mm	150 x 230
Max. rating in W	2.10
Max. Booster power rating in W	3.00
Max. TwinBooster power rating in W	3650
1st cooking zone/cooking area	
Position	Left
Type	PowerFlex XL cooking area
Size in mm	230 x 460
Max. rating in W	3400
Max. Booster power rating in W	4800
Max. TwinBooster power rating in W	7300
2nd cooking zone/cooking area	
Position	Right
Type	PowerFlex XL cooking area
Size in mm	230 x 460
Max. rating in W	3400
Max. Booster power rating in W	4800
Max. TwinBooster power rating in W	7300
User convenience	
Miele@home	•
Operation via sensor controls	ComfortSelect Plus
Automatic function Con@ctivity	•
Digital power level display	•
Display colour	Yellow
Auto heat-up	•
Permanent pan recognition	•
Keeping warm	•
Stop & Go function	•
Recall function	•
Minute minder	•
Safety switch-off	•
Individual setting options (e.g. buzzers)	•
Active charcoal filter saturation indicator	•
Run-on time 5/15 min.	•
Clean grease filter indicator	•

KMDA 7476 FL

Induction hob with integrated vapour extraction

with two extra large PowerFlex XL cooking areas and flush-fit vapour extraction



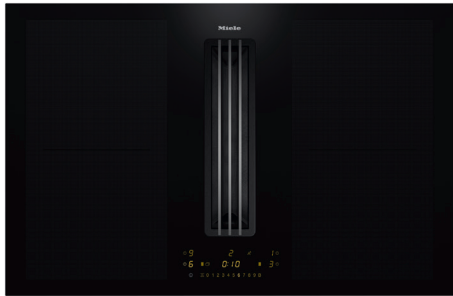
EAN: 4002516599166 / Material number: 12106290

Efficiency and sustainability	
Annual energy consumption in kWh/year	27.6
ECO motor	•
Cleaning convenience	
Easy-to-clean ceramic glass	•
Easy-to-clean canopy interior – CleanCover	•
Wipe protection	•
Filter system	
Number of dishwasher-safe stainless steel grease filters (10-ply)	1
Extraction	
Air throughput in Booster level (m ³ /h) according to EN 61591	580
Sound power in Booster level (dB(A) re 1 pW) acc. to EN 60704-3	73.0
Noise pressure level in Intensive level (dB(A) re 20 µPa) according to EN 60704-2-13	60.0
Recirculation	
Air throughput in Booster level (m ³ /h) according to EN 61591	510
Sound power in Booster level (dB(A) re 1 pW) acc. to EN 60704-3	76.0
Sound pressure in Booster level (dB(A) re 20 µPa) acc. to EN 60704-2-13	62.0
Safety	
Safety switch-off	•
Lock function	•
System lock	•
Integrated cooling fan	•
Overheating protection	•
Residual heat indicator	•
Technical data	
Dimensions in mm (width)	800
Dimensions in mm (height)	200
Dimensions in mm (depth)	520
Cutout dimensions in mm (width) with surface-mounted installation	780
Casing height incl. connection box in mm	200
Cutout dimensions in mm (depth) with surface-mounted installation	500
Internal cutout dimensions in mm (width) with flush installation	780
Internal cutout dimensions in mm (depth) with flush installation	500
Weight in kg	20
External cutout dimensions in mm (width) with flush installation	804
External cutout dimensions in mm (depth) with flush installation	524
Total rated load in kW	7.50
Voltage in V	230
Frequency in Hz	50
Length of supply lead in m	1

KMDA 7476 FL

Induction hob with integrated vapour extraction

with two extra large PowerFlex XL cooking areas and flush-fit vapour extraction



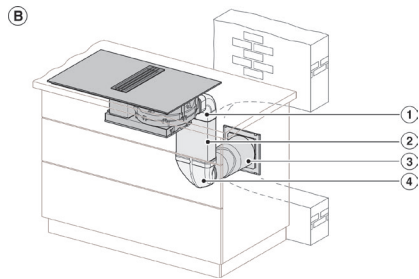
EAN: 4002516599166 / Material number: 12106290

Accessories supplied	
Mains cable	Yes
Optional accessories	
Flat ducting components DFK	•
Recirculation conversion kit DUU 1000-2	•
Wall Vent Kit DMK 150-1	•

KMDA 7476 FL

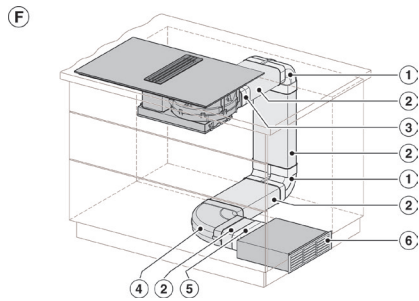
Induction hob with integrated vapour extraction

with two extra large PowerFlex XL cooking areas and flush-fit vapour extraction



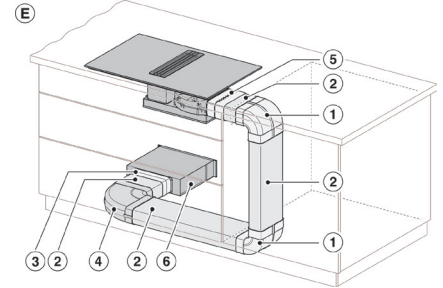
KMDA 7476 Built-in version 7 (Installation drawing)

- 1) SF RBV 150, 2) SF VRO 150, 3) DMK 150-1, 4) SF UR 150



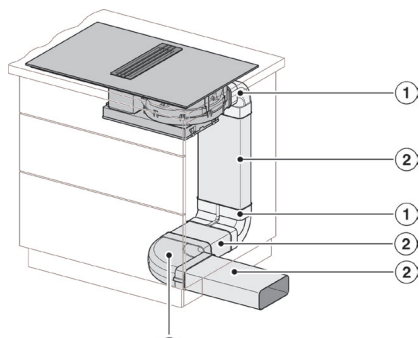
KMDA 7476 Built-in version 2 (Installation drawing)

- 1) SF RBV 150, 2) SF VRO 150, 3) SF VRO 150, 4) SF RBH 150, 5) SF RVB 150, 6) SF RVB 150



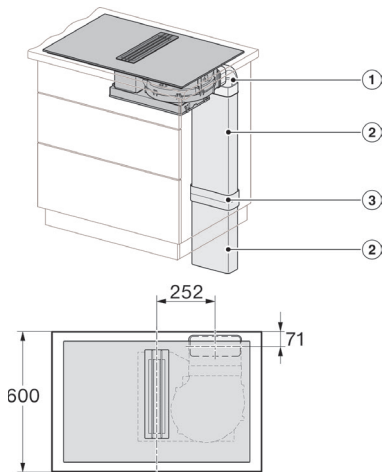
KMDA 7476 Built-in version 5 (Installation drawing)

- 1) SF RBV 150, 2) SF VRO 150, 3) SF RVB 150, 4) SF RBH 150, 5) SF VRO 150 & SF RVB 150, 6) DUU 1000-2



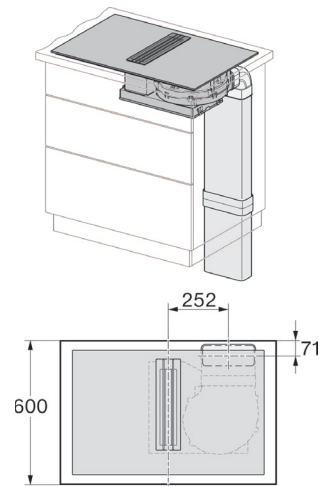
KMDA 7476 - Built-in version 8 (Installation drawing)

- 1) SF RBV 150, 2) SF VRO 150, 3) SF RBV 150



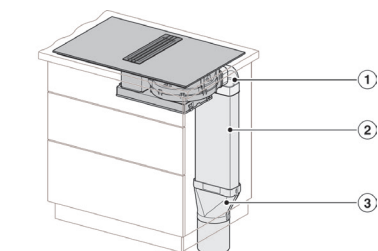
KMDA 7476 - Built-in version 10 (Installation drawing)

- 1) SF RBV 150, 2) SF VRO 150, 3) SF RVB 150



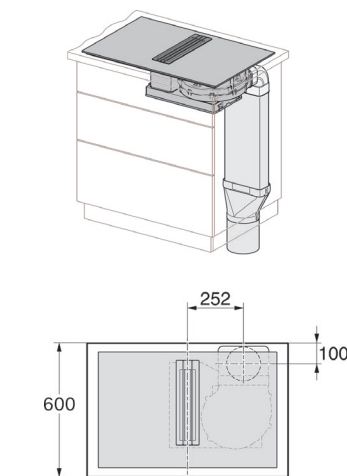
KMDA 7476 - Built-in version 10 (Installation drawing)

- 1) SF RBV 150, 2) SF VRO 150, 3) SF RVB 150



KMDA 7476 - Built-in version 11 (Installation drawing)

- 1) SF RBV 150, 2) SF VRO 150, 3) DFK-V



KMDA 7476 - Built-in version 11 (Installation drawing)

- 1) SF RBV 150, 2) SF VRO 150, 3) DFK-V